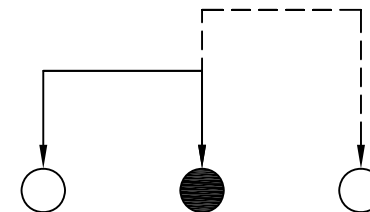
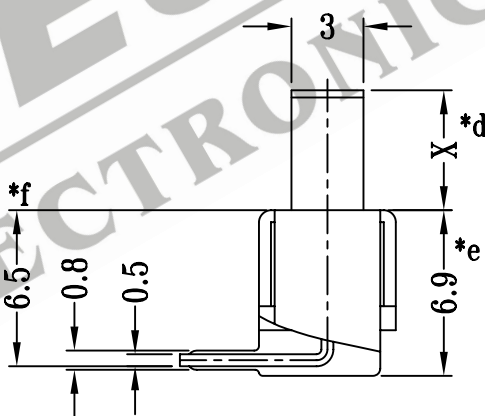
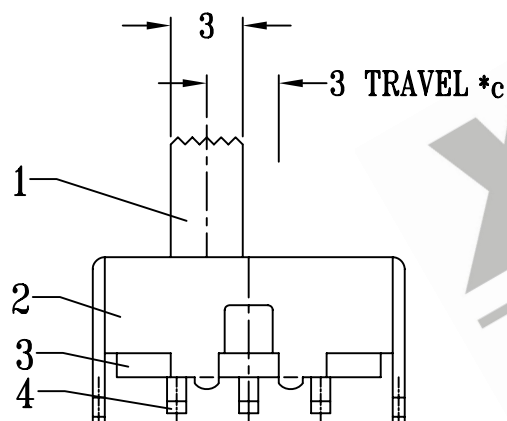
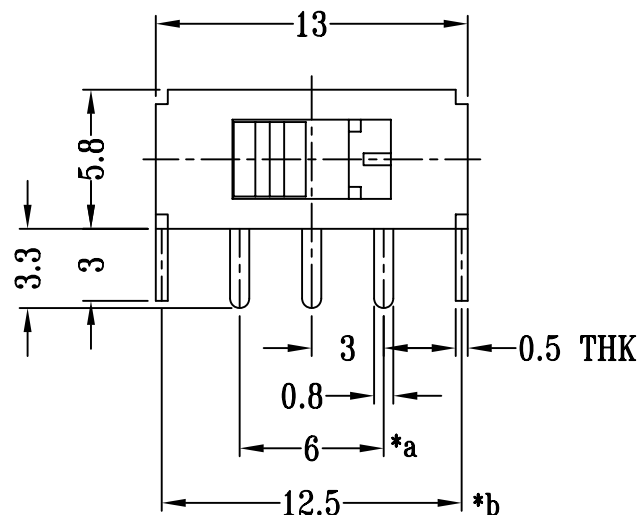
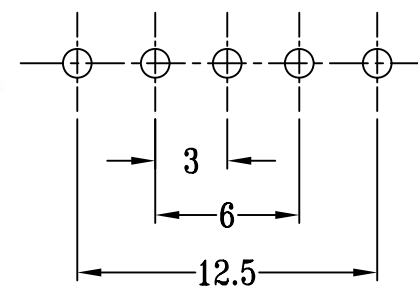




CAD FILE:



SCHEMATIC (NON-SHORTING)



P.C.B LAYOUT

注:带"*"表示关键尺寸(6个)

NO.	PARTS	MATERIALS	Q'TY	FINISH	TOLERANCE UNLESS SPECIFIED	SHENZHEN XIEJIA ELECTRONICS CO.,LTD.					
8						TITLE : VERTICAL SLIDE SWITCH MODEL: SS-12F23 ALL MATERIALS MUST BE COMPLIANT TO ROHS					
7										UNIT : mm	
6	CONTACT CLIP	COPPER STRIP	1	Ag PLATED	WITHIN: 1.5±0.1mm OVER: 1.5±0.2mm	ISSUE	DATE	DESCRIPTIONS OF REVISION		APPD.	
5	SPRING	STEEL WIRE	1	TEMPER				DRWG NO.: XJ-DR-SS12F23-00			
4	TERMINAL	BRASS STRIP	3	Ag PLATED OVER Ni PLATED				DWN.	ZHOUYU	2004-8-23	
3	BASE	PHENOLIC RESIN	1	NATURAL				SCALE: 3 : 1	CHK'D	FANGYING	2004-8-23
2	FRAME	STEEL STRIP	1	Ni PLATED				APPD.	KANGXINAN	2004-8-23	
1	KNOB	POM	1	BLACK							